

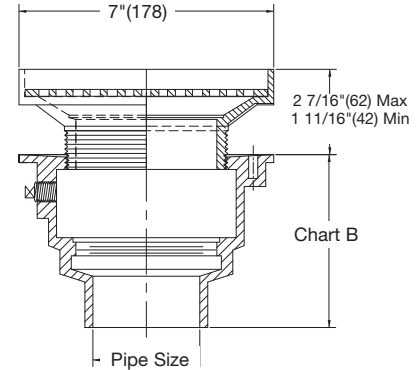
On-Grade Floor Drains with Stainless Steel Strainers

FD-1200-ER Floor Drain with Stainless Steel Extended Rim Strainer

Model Number	Weight (lbs.)	Str. Size	Pipe Size	Strainer	List Price
FD-1202,3,4-ER7	11	7"	2,3,4"	stainless steel	\$1,219.00



Chart B			
Pipe Size	No Hub	Push On	PVC/ABS
2"	4 3/4"	5 1/2"	4"
3"	4 3/4"	5 1/2"	4"
4"	4 3/4"	5 1/2"	4"



FD-1200-L Floor Drain with Heavy Duty Square Stainless Steel Strainer

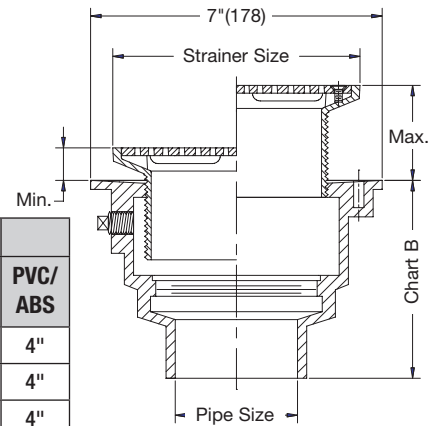


Model Number	Weight (lbs.)	Str. Size	Pipe Size	Strainer	List Price
FD-1202,3,4-L5	10	5x5"	2,3,4"	stainless steel	\$809.00
FD-1202,3,4-L6	14	6x6"	2,3,4"	stainless steel	939.00
FD-1202,3,4-L8	16	8x8"	2,3,4"	stainless steel	1,290.50



Chart A		
Strainer	Min.	Max.
5"x5"	1 1/2"	2 5/16"
6"x6"	1 1/2"	2 5/16"
8"x8"	3/4"	2 3/4"

Chart B			
Pipe Size	No Hub	Push On	PVC/ABS
2"	4 3/4"	5 1/2"	4"
3"	4 3/4"	5 1/2"	4"
4"	4 3/4"	5 1/2"	4"



FD-1200-M Floor Drain with Square Stainless Steel Strainer

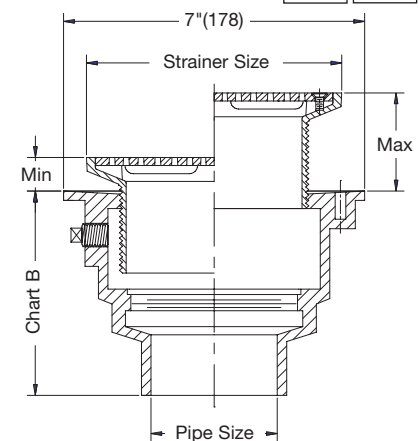


Model Number	Weight (lbs.)	Str. Size	Pipe Size	Strainer	List Price
FD-1202,3,4-M5	10	5"x5"	2,3,4"	stainless steel	\$702.50
FD-1202,3,4-M6	12.5	6"x6"	2,3,4"	stainless steel	772.00
FD-1202,3,4-M8	16	8"x8"	2,3,4"	stainless steel	1,098.50



Chart A		
Strainer	Min.	Max.
5"x5"	1 1/2"	2 5/16"
6"x6"	1 1/2"	2 5/16"
8"x8"	1 1/2"	2 3/4"

Chart B			
Pipe Size	No Hub	Push On	PVC/ABS
2"	4 3/4"	5 1/2"	4"
3"	4 3/4"	5 1/2"	4"
4"	4 3/4"	5 1/2"	4"



Note: Funnels are ordered separately. See page 63 for details.

Options for FD-1200 Series:

Suffix	Description	List Price	Suffix	Description	List Price
None	No Hub	No Add	-28	304SS Body & Collar w/BW Connection (No Hub only)	\$911.00
P	Push-On Outlet	No Add	-60	PVC Body w/Socket Outlet	No Add
X	Inside Caulk	No Add	-61	ABS Body w/Socket Outlet	No Add
-5	Sediment Bucket	\$108.00	-F4-3	4" Round SS Funnel	548.00
-6	Vandal Proof	54.50	-F4-50	4" Round Cast Iron Funnel	179.00
-7	Trap Primer Tapping	No Add	-F4-1	4" Round Nickel Bronze Funnel	428.00
-8	Ball Float Backwater Valve (2,3,4" Only)	377.50	-F6-1	6" Round Nickel Bronze Funnel	625.50
-13	Galvanized Body	195.50	-G-50	4x9" Oval Cast Iron Funnel	423.00
-15	Strainer Extension (DD-50)	141.00	-G-1	4x9" Oval Nickel Bronze Funnel	872.00

Consult factory for all applications outside of listed parameters.
Prices do not include applicable taxes.

